

trident

Dr. MAX

7000 Series ELECTRO-HYDRAULIC SURGICAL TABLES

7000 Series



The Excellent Balance



BenQ
Medical Technology



Dr. MAX

7000 Series ELECTRO-HYDRAULIC SURGICAL TABLES

The exceptional design, high quality, and engineering excellence of our Dr. MAX 7000 series surgical tables satisfy not only customers' expected reliability, performance, safety and value but also offer instant, almost unlimited articulations.



CHARACTERISTICS



Built –in Kidney Bridge
is radiolucent and designed for flexibility in kidney position or Thorax surgery.
(model “K”)



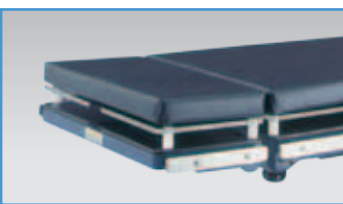
Manual Override
located on the base that enables full use the table in the even of power or built-in battery failure.
(model “P”)
Fuctions:
Table up / down , Floor lock / unlock ,
Tilt left / right , Trend / Rev. trend ,
Back up / down , Slide to head / to foot.



Adjusting Leg Section via Gas Spring
Two piece (spilt)design, fold-able and detachable via gas spring. (model “D”)



Battery the Power supply also works with the DC battery powered system to supply about 80-100 operations during a power outage.
(model “B”)



X-RAY TOP
allows for inserting X-ray film cassette from the head, foot, or either side for a full range (from head to foot) of exposure angles.



Foot Control
provides hand free and water-proof manipulation in tabletop up/down, Trendelenburg/reverse Trendelenburg, and longitudinal slide toward foot/head (or lateral tilt) positioning.

Extendable Head Rest

provides 60mm (2.4”) of extension for extended radiographic coverage or special procedures.



Tabletop Longitudinal Slide

facilitates full-body fluoroscopic imaging (7000S/SK/SF/SKF only).

Slim Base and Column Design

offer ideal C-Arm access.



optional features

optional accessories

Removable Leg Section

both manual split leg plates provide easy and unobstructed perineal access.



Hand Control

Extended Tabletop Height Adjustment Range

from 685 to 1,135mm (27" ~ 44.7", w/o pad) can meet various specialties (7000S Series)

Emergency Override Floor Unlock Device

is an additional safe feature to manually release all floor locks.

Self-Compensating Floor Locking System

has automatic floor locking feature to provide optimum stability.

*The table shown is 7000SK with optional accessories. Please see the last page.

With our tabletop longitudinal slide feature, there is no need to reverse patient or preconfigure the table before transferring patient to achieve full-body fluoroscopic procedures.

Major Features

7000S

Provides the features of tabletop longitudinal slide and extended height adjustment range from 685 to 1,135mm (27" ~ 44.7", w/o pad). The maximum tabletop height can fully meet the demanding specialties required by CRS surgery, Hip Replacement, L-Plating for intertrochanteric Fracture, Fixation of Femoral Head in Orthopedics.

7000SK

(add to 7000S) provides the additional feature of built-in kidney bridge.

7000SPB

(add to 7000S) provides the manual override and the built-in battery.

7000S+TED-07

(add to 7000S) equip with removable orthopedic telescopic traction device to achieve perfect.

7000N

Provides the features of low tabletop height adjustment from 520 to 1,010mm (20.5 ~ 39.8", w/o pad) and tabletop 180° rotation for requirement of low height positioning needs in Neurosurgery or ENT, greater accessibility, and upper body imaging without interference of the column base.

7000NK

(add to 7000N) provides the additional feature of built-in kidney bridge.

S: Tabletop Longitudinal Slide

N: Neurosurgery Specialty

K: Built-in Kidney Bridge

B: Internal Battery Power Supply

P: Manual Override

D: two piece(spilt) design, foldable and detachable via gas spring

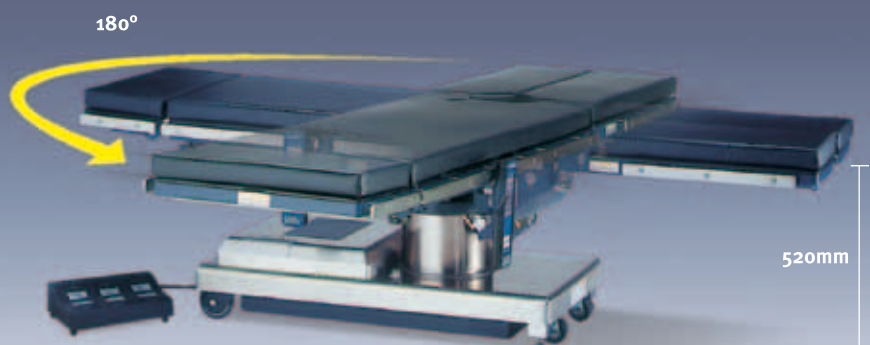
TED-07: Orthopedic Extension Device

Tabletop 180° Rotation of 7000N

eliminates interference between surgeon and anesthesiologist by partially (20° ~ 30°) rotating patient to the awaiting surgeon and achieves spacious leg room for seated surgeon's optimal comfort.

520mm of Low Tabletop Height Adjustment in 7000N

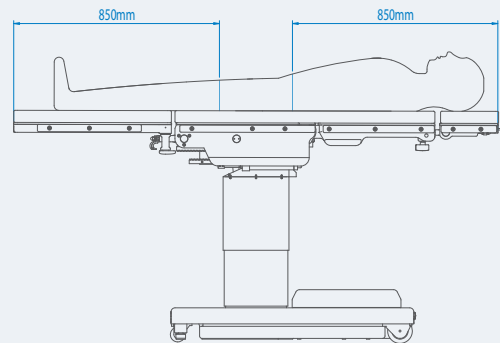
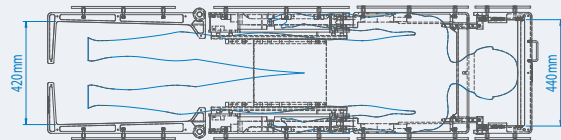
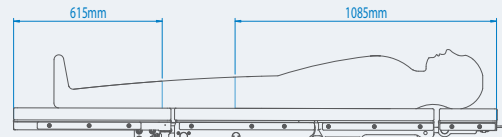
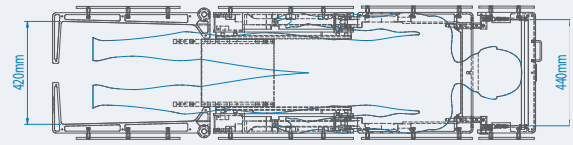
permits better maneuverability for low tabletop requirement.



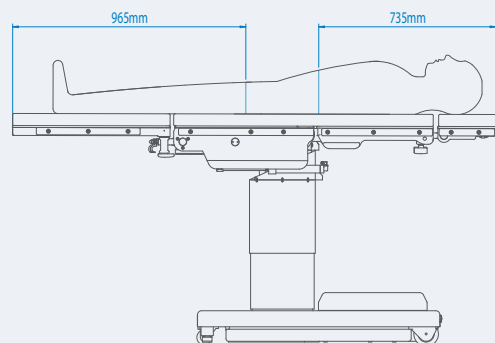
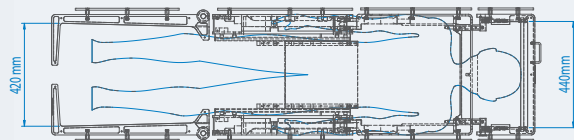
The table shown is 7000N with optional accessories.

Radiographic Coverage

Sliding toward Head-End



Sliding toward Foot-End



7000 Series ELECTRO-HYDRAULIC SURGICAL TABLES



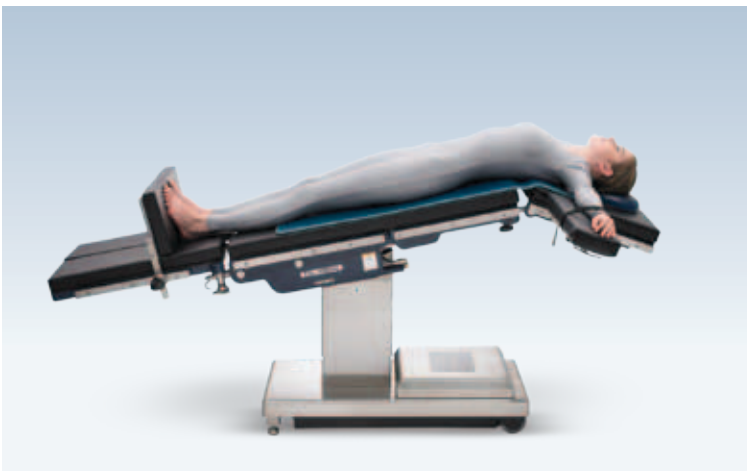
Laparoscopy Surgery

Laparoscopic Cholecystectomy Surgery

Tabletop longitudinal slide toward head-end offers complete X-ray coverage and easy access to accommodate various surgical procedures, such as: **Laparotomy, Cholecystectomy, Herniorrhapy, Breast Procedures, Ophthalmic Surgery, ENT Procedures.** (C-Arm courtesy of Instrumentarium)

Recommended Accessories :

- Arm Board(2101-0000-0360) x 2
- Restraint Strap(1101-8120-0041) x 1



Chest /Abdominal Surgery

Thoracic surgery with the extension plate to position the patient chest.

Recommended Accessories :

- Arm Board(2101-0000-0360) x 2
- Restraint Strap(1101-8120-0041) x 1
- Knee Rest (2101-0000-0148) x 1



E.N.T. Surgery

Semi-recumbent patient or chair positions for head-neck , ENT surgery procedures, like Tonsillectomy, Cuff Repair, etc.



Gall Bladder Surgery

Thoracic, Kidney, and Gall Bladder

A combination of tabletop slide toward head-end, flex, and kidney bridge positioning provides excellent surgical site exposure and easy C-Arm access. Possible procedures includes **Nephrectomy, Ureteral Lithotomy, Total Hip Procedure, Thoracoscopy, Hiatal Hernia Repair, Lung Reduction Surgery.**

Recommended Accessories :

- Arm Board(2101-0000-0360) x 1
- Raised Arm Rest (2101-0000-0481) x 1
- Restraint Strap(1101-8120-0041) x 1
- Knee Rest (2101-0000-0148) x 1
- Head, Shoulder & Arm Rest for Lateral Positioning (1101- 8120-0043) x 1



Rectal Surgery

Rectal positions with Knee Rest and Rectal Positioning Support to support the patient in a kneeling position

Recommended Accessories :

- Arm Board(2101-0000-0360) x 2
- Restraint Strap(1101-8120-0041) x 1
- Rectal Positioning Support (1101-8120-0042) x 1
- Knee Rest (2101-0000-0148) x 1



Lithotomy bladder Surgery

configuration of perineal cutout, lithotomy legholders and leg section, provides excellent gynecology and abdominal surgical access. Multi-position legholders can be used as leg support when the pelvis needs to be stabilized.

Recommended Accessories :

- Arm Board(2101-0000-0360) x 2
- Lithotomy Holder (2101-0000-0116) x 2

7000 Series ELECTRO-HYDRAULIC SURGICAL TABLES



Reverse Patient Orientation for Urology

OB/GYN, Urology, and Cystoscopy

The longitudinal slide toward foot-end and slid reverse to head-end for offers comfortable patient access and complete C-Arm coverage of lower body. Tabletop can be interchanged to accommodate specific procedures like: **D & C, Cervical Conization, Pelviscopy, Cystoscopy, A-P Repair, Urinary Tract Procedures, Transurethral Resection, Rectal Surgery, Laparoscopy.**

Recommended Accessories :

- Arm Board(2101-0000-0360) x 2
- Leg Crutch (2101-0000-0470) x 2
- Urology Drain Tray for Reverse Patient Orientation x 1
- Contamination Bucket (2101-0000-0115) x 1



Urology /OB/ Gynecology procedures Surgery

Recommended Accessories :

- Arm Board(2101-0000-0360) x 2
- Leg Crutch (2101-0000-0470) x 2
- Urology Drain Tray Set for 7000S/SK only (2101-0000-0006) x 1
- Contamination Bucket (2101-0000-0115) x 1



Ophthalmological and Facial/Plastic Surgery

ENT, Ophthalmological, and Facial/Plastic Surgery

Sinus Surgery, Ophthalmic Surgery, Stapedectomy, Tympanoplasty, Mastoidectomy, Rhinoplasty, Septoplasty, Caldwell-Luc Procedures, Laryngectomy, Adenoidectomy, Thyroidectomy.

7000N --- Recommended Accessories :

- Arm Board(2101-0000-0360) x 2
- Restraint Strap(1101-8120-0041) x 1
- Head Rest with Wrist Support (2101-0000-0263) x 1

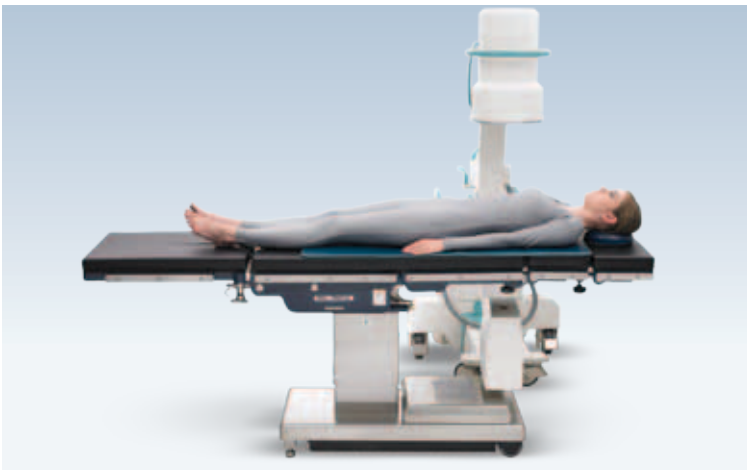


Knee Arthroscopy Surgery

Knee Arthroscopy Surgery – leg in hanging position with leg holder for arthroscopy of orthopedic surgery.

Recommended Accessories :

- Arm Board(2101-0000-0360) x 2
- Restraint Strap(1101-8120-0041) x 1
- Condyle Fixation for Tibia and Fibula (2101-0000-0079) x 1

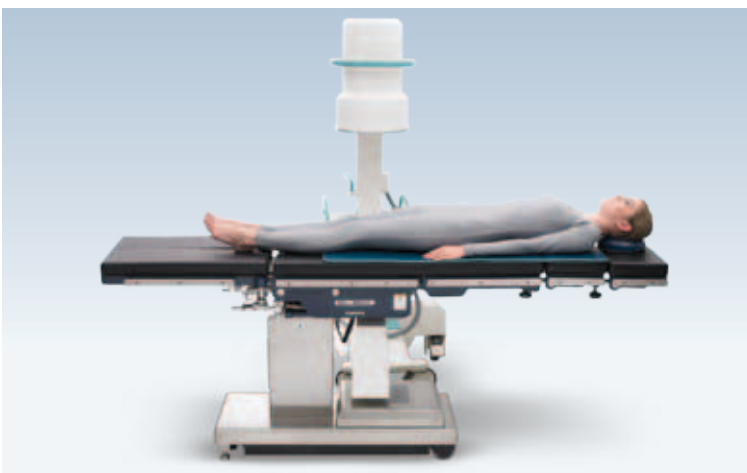


Cardiovascular/ Cardiothoracic

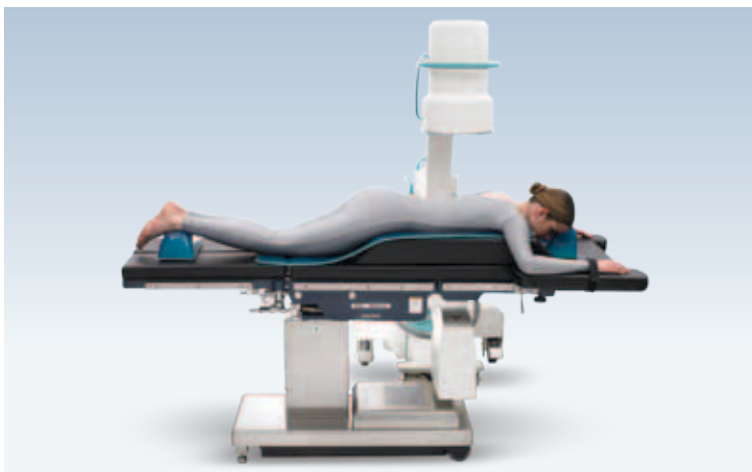
Excellent upper body visualization is greatly improved by using tabletop longitudinal slide, maximum tabletop height 1,186mm (46.7", w/ pad), and collocation with optional Extension Plate 250mm(9.8"). That is possible procedures in **Pacers, Groshong Catheter, Hickman Catheter, Mediport Insertion, Vascular Applications, Fem/Pop Bypass, Femoral Angiograms, Femoral Endarterectomies, pain management.**

Recommended Accessories :

- Arm Board(2101-0000-0360) x 2
- Restraint Strap(1101-8120-0041) x 1



7000 Series ELECTRO-HYDRAULIC SURGICAL TABLES



Spinal Surgery

Putting the patient in the prone position permits unrestricted access for the C-arm in orthograde X-ray examinations of the affected vertebrae.

Unobstructed access of C-Arm, microscope, and/or surgical team during surgery are all possible with Dr. MAX 7000 series to complete procedural and fluoroscopic versatility.

Recommended Accessories :

- Arm Board(2101-0000-0360) x 2
- Restraint Strap(1101-8120-0041) x 1
- Assembling Dorsal Operating Pad Set (2101-0000-0307) x 1



Neurosurgery

Tabletop 180° rotation, low height tabletop, and full back up position in 7000N are suitable for a seated surgeon to perform various specialties in Neurosurgery with Multipurpose head support . Possible procedures in **Craniotomy, Cervical Surgery.**

Recommended Accessories :

- Arm Board(2101-0000-0360) x 2
- Restraint Strap(1101-8120-0041) x 1
- General Purpose U-type Head Rest (2101-0000-0843) x 1
- Neuro Adaptor for Mayfield Head Rest (2101-0000-0433) x 1



Total Hip Surgery

X-Ray Imaging Total Hip Treatment Surgery

Treatment of fractures of the surgery total pelvis, hip, and femoral neck; unrestricted use of image intensifier from the anterior-posterior to the lateral view.

Recommended Accessories :

- Arm Board(2101-0000-0360) x 1
- Raised Arm Rest (2101-0000-0481) x 1
- Restraint Strap(1101-8120-0041) x 1
- Knee Rest (2101-0000-0148) x 1
- Head, Shoulder & Arm Rest for Lateral Positioning (1101-8120-0043) x 1



Total Shoulder/Arthroscopy Surgery

Chair Position Shoulder Procedures Surgery

The full back up position with Shoulder surgery module provides access for **Breast, Acromioplasty, Rotator Cuff Repair, Total Shoulder, Abdominoplasty procedures.**

The module specially designed for procedures at the shoulder ensures direct and unrestricted access to the surgical area and eliminates any hindrance of the C-arm. The two side sections in this three-part plate can be removed and moreover, the head support can be swung to the left and right .

Shoulder Operation

This unique accessory is available for Trident's surgical tables.

Shoulder Operation offers unobstructed superior access

- Easily removed large cut-out back rest for excellent surgical access.
- Head support provides excellent fixation for head and neck.
- Head support is adjustable (height and rotation) to position patient in place.



Recommended Accessories :

- Raised Arm Rest (2101-0000-0481) x 1
- Restraint Strap(1101-8120-0041) x 1
- Lateral Support (2101-0000-0086) x 1
- Shoulder Surgery Attachment (2101-0000-0290) x 1

Dr. MAX 7000 Series in Orthopedic Procedures

Femoral Stem Fracture and Other Orthopedic Procedures

The table can be equipped with optional Removable Orthopedic Extension Device 2100-0000-0038 to have positioning flexibility of an orthopedic surgical table for procedures such as: Total Hip Replacement, Itramedullary Nailing of Femoral, and Tibia and Fibula Surgery, AO Technique



Orthopedic/Traumatologic Surgery

The Extension device allows stable positioning of injured lower extremities while applying orthopedic longitudinal traction.

Recommended Accessories :

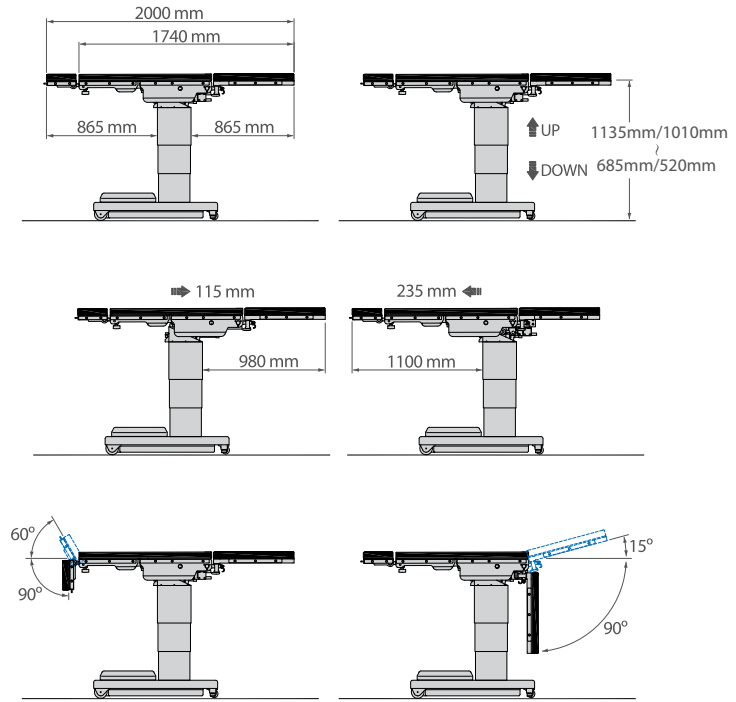
- TED-07 Orthopedic/Traumatological Extension Device (2101-0000-0254) x 1



Main Specifications

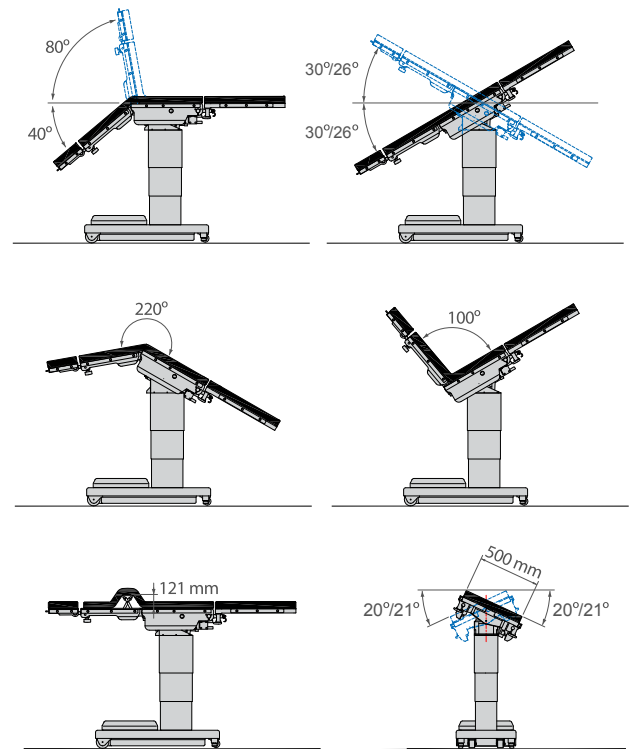
Model	Dr. Max 7000 S Series	Dr. Max 7000 N Series
Tabletop Length (w/ Extendable head Rest)	2,000 mm	
Tabletop Width (w/o Side Rails)	500 mm	
Tabletop Height (Up/Down, w/o Pad)	685 ~ 1,135 mm	520 ~ 1,010 mm
Trendelenburg/Reverse Trendelenburg	30° / 30°	26° / 26°
Lateral Tilt (L/R)	20° / 20°	21° / 21°
Flex/Reflex	220° / 100°	
Head Rest (Up/Down)	60° / 90°	
Back Plate (Up/Down)	80° / 40°	
Leg Plates (Up/Down) & Horizontal Positioning	15° / 90°, Horizontal 0° ~ 90°	
Tabletop Longitudinal Slide	350 mm	NA
Table Rotation	NA	180°
Patient Weight	227kg	

- Specifications and functions are subjects to change without prior notice.
- Some tables shown are with optional accessories, please see the accessory list or refer to our sales representative for detailed information.
- N/A: not available.



Dr. Max 7000 Series models

Functions	Description	Dr. Max 7000 S Series	Dr. Max 7000 N Series
S	Longitudinal slide is 350 mm.	●	
N	Tabletop height (Up/Down, w/o Pad) is 520 ~ 1,010 mm		●
K	Built-in kidney bridge can offer max 121mm elevation	●	●
B	DC powered system to supply about 80-100 operations during a power outage.	●	●
P	"Manual override located on the base that enables full use of the table in the even of power or built-in battery failure. Functions including Table up/down ; Trend /Rev. Trend ; Slide to head / to foot ; Floor lock / unlock ; Tilt left / right ; Back up / down."	●	
D	Dual pieces gas spring for adjusting leg section can(Up/Down) from 30° ~ 90° & horizontal positioning separate from 0° ~ 90°	⊙	⊙
TED-07	Orthopedic Extension Device F07 (TED-07) can offer 1,050 ~ 1,630mm adjustable range, & 225mm traction stroke.	⊙	



- means optional functions.
- ⊙ can only choose one function individual.

ACCESSORIES

Standard Accessories

2101-0000-0454	Anti-static Pad for 7000 series
2101-0000-0368	Arm Board, 2 pieces, with integral quick disconnect side rail clamp design to facilitate installation and removal.

Optional Accessories for Arm Support

2101-0000-0481	Raised Arm Rest *
2101-0000-0109	Microscopic Operating Frame for Hand
2201-0000-0019	Left Wrist-Side Gripping Handle
2201-0000-0020	Right Wrist-Side Gripping Handle
1101-8120-0043	Head, Shoulder & Arm Rest for Lateral Positioning
2101-0000-0003	Wristlet

Optional Accessories for Body Support

2101-0000-0086	Lateral Support **
2101-0000-0087	Shoulder Support **
2101-0000-0010	Pad-Adjustable Dorsal Operation Frame
1101-8120-0042	Rectal Positioning Support

Optional Accessories for Leg Supports and Urology

2101-0000-0470	Leg Crutch *
2101-0000-0116	Lithotomy Holder *
2101-0000-0089	Right Foot Rest **
2101-0000-0093	Left Foot Rest **
2101-0000-0148	Knee Rest ***
2101-0000-0006	Urology Drain Tray Set for 7000S/SK only
2101-0000-0005	Urology Drain Tray Set for 7000N/NK only
2101-0000-0004	Urology Drain Tray Set for 7000SF/SKF with Traction Device only
2101-0000-0115	Contamination Bucket

Optional Accessories for X-Ray

2100-0000-0038	X-Ray Top for 7000 series
2101-0000-0104	Lateral Cassette Holder **

Optional Accessories for General Accessories

1101-6670-0019	Anesthesia Screen Frame **
2101-0000-0144	Anesthesia Screen Frame (Adjustable) **
2101-0000-0364	Side Rail Clamp

2101-0000-0091	Side Rail Lock
2101-0000-0074	Accessory Cart
2101-0000-0118	Instrument Tray *
2101-0000-0080	Patient Transfer Device
1101-8120-0041	Restraint Strap
1101-6660-0030	Hand Control Bracket
2101-0000-0263	Head Rest with Wrist Support
2101-0000-0290	Shoulder Surgery Attachment

Optional Accessories for Neurology

2101-0000-0483	General Purpose U-Type Rest
2101-0000-0433	Neuro Adaptor, for Mayfield head Rest

Optional Accessories for Orthopedic-TED-07

2101-0000-0254	Removable Orthopedic Extension Device (TED-07) with Accessories and Cart for 7000S/SK only
Y02-0500-0070	TED-07 Extension Device Support Poles
2101-0000-0252	TED-07 Leg Plate (w/o 2101-0000-0251x2pcs)
2101-0000-0251	Extension Clamp

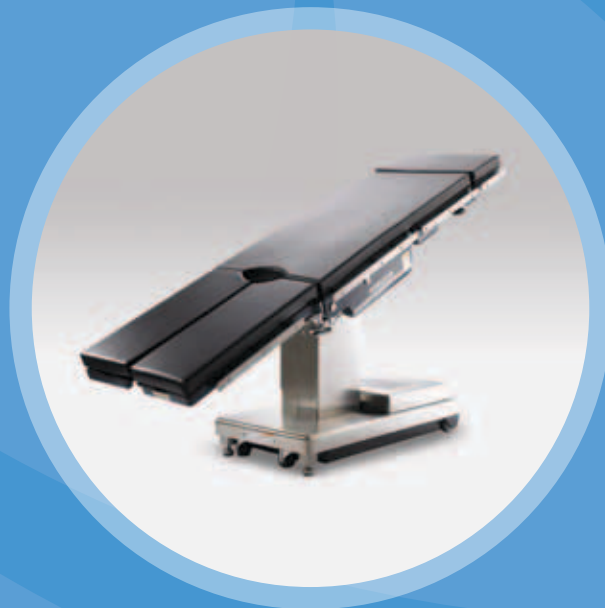
Optional Accessories for Table Control

2101-0000-0155	Corded Hand Control for 7000N/NK
2101-0000-0030	Corded Hand Control for 7000S/SF/SK/SKF
2101-0000-0027	Auxiliary Control for 7000 series
2101-0000-0119	Foot Control for 7000N/NK
2101-0000-0120	Foot Control for 7000S/SF/SK/SKF

* A side-rail clamp (Part NO:2101-0000-0364) is required to fixate the accessories and they are sold separately.

** A side-rail lock (Part NO:2101-0000-0091) is required to fixate the accessories and they are sold separately.

*** Two side-rail lock (Part NO:2101-0000-0091) are required to fixate the accessories and they are sold separately.



BenQ Medical Technology Corp.

Headquarter

7FL 46 Zhou-z St., Neihu Dist.,
Taipei 11493, Taiwan

Factory

7, Kung 5 Rd., Linkou Dist.,
New Taipei City 24452, Taiwan

Tel 886-2-8797-5080

Fax 886-2-8797-5070

www.BenQMedicalTech.com

info@BenQMedicalTech.com



BenQ
Medical Technology